

**NFES-VL/
NFED-VL**
Square/Round Flange
Long Type



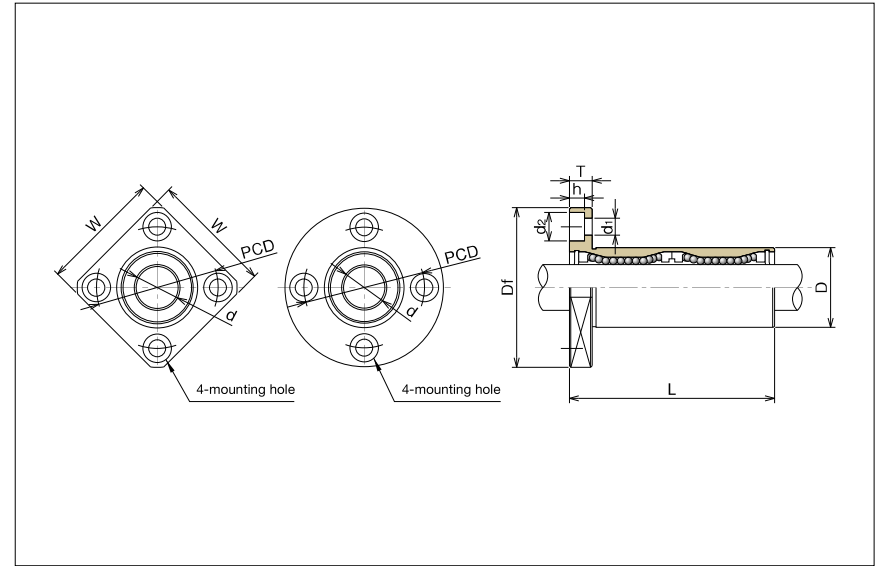
Ordering Details

N F E S - 6 V L U U

With flange ball bush Edge S:Square D:Round flange Inscribed circle diameter Plastic retainer Long UU: With two seals

Part Number	Ball Circuit	Major Dimensions and Tolerance					
		Inscribed Circle Diameter		Outer Diameter		Length	
		d	Tolerance	D	Tolerance	L	Tolerance
NFES-6VLUU	4	6		12	0	35	
NFED-6VLUU	4	6		12	0	35	
NFES-8VLUU	4	8		15	-0.013	45	
NFED-8VLUU	4	8		15	-0.013	45	
NFES-10VLUU	4	10	0	19		55	0
NFED-10VLUU	4	10	0	19		55	0
NFES-12VLUU	4	12	-0.010	21	0	57	-0.3
NFED-12VLUU	4	12	-0.010	21	0	57	-0.3
NFES-13VLUU	4	13		23	-0.016	61	
NFED-13VLUU	4	13		23	-0.016	61	
NFES-16VLUU	5	16		28		70	
NFED-16VLUU	5	16		28		70	
NFES-20VLUU	5	20		32		80	
NFED-20VLUU	5	20		32		80	
NFES-25VLUU	6	25	0	40	0	112	0
NFED-25VLUU	6	25	-0.012	40	-0.019	112	0
NFES-30VLUU	6	30		45		123	-0.4
NFED-30VLUU	6	30		45		123	-0.4

Please contact us for size 35 and above.



Major Dimensions								Square-ness (Max)	Eccentricity (Max)	Weight (kg)	Load Rating			
Flange				Mounting Hole							C (kgf)	Co (kgf)	C (N)	Co (N)
Df (mm)	W (mm)	T (mm)	PCD (mm)	d ₁ (mm)	d ₂ (mm)	h (mm)								
28	22	5	20	3.5	6.0	3.1	0.015	0.015	0.026	33	54	320	529	
32	25	5	24	3.5	6.0	3.1			0.040	44	80	428	780	
40	30	6	29	4.5	7.5	4.1			0.072	60	112	585	1,097	
42	32	6	32	4.5	7.5	4.1			0.080	82	159	806	1,560	
43	34	6	33	4.5	7.5	4.1			0.103	83	160	815	1,568	
48	37	6	38	4.5	7.5	4.1			0.148	126	240	1,234	2,352	
54	42	8	43	5.5	9.0	5.1	0.020	0.020	0.214	143	280	1,401	2,744	
62	50	8	51	5.5	9.0	5.1			0.472	159	320	1,558	3,136	
74	58	10	60	6.6	11.0	6.1			0.502	254	560	2,489	5,488	
									0.555					

NFEO-VL
Oval Flange Long Type



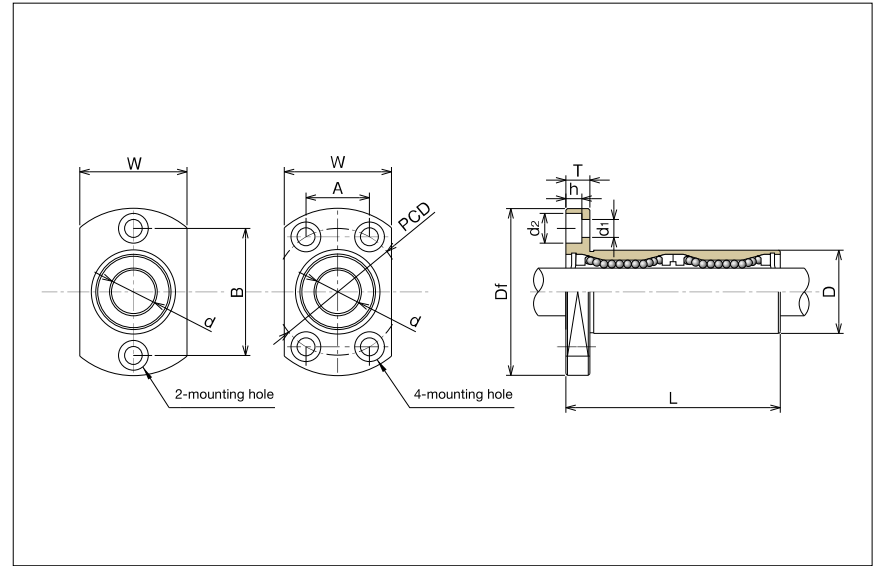
Ordering Details

N F E O - 6 V L U U

With flange ball bush Edge Oval Inscribed Plastic circle diameter Long UU: With two seals

Part Number	Ball Circuit	Major Dimensions and Tolerance					
		Inscribed Circle Diameter		Outer Diameter		Length	
		d	Tolerance	D	Tolerance	L	Tolerance
NFEO-6VLUU	4	6		12	0	35	
NFEO-8VLUU	4	8		15	-0.013	45	
NFEO-10VLUU	4	10	0	19	0	55	0
NFEO-12VLUU	4	12		-0.010		21	
NFEO-13VLUU	4	13		23		61	
NFEO-16VLUU	5	16		28		70	
NFEO-20VLUU	5	20		32		80	
NFEO-25VLUU	6	25	0	40	0	112	0
NFEO-30VLUU	6	30		-0.012		45	

Please contact us for size 35 and above.



	Major Dimensions									Square-ness (Max)	Eccentricity (Max)	Weight (kg)	Load Rating			
	Flange					Mounting Hole							C	Co	C	Co
	Df	W	T	B	A	PCD	d ₁	d ₂	h							
	(mm)	(mm)	(mm)	(mm)	(mm)	(mm)	(mm)	(mm)	(mm)	(mm)	(mm)	(kg)	(kgf)	(N)	(N)	
28	18	5	20	—	20	3.5	6.0	3.1	0.015	0.015	0.028	33	54	320	529	
32	21	5	24	—	24	3.5	6.0	3.1			0.042	44	80	428	780	
40	25	6	29	—	29	4.5	7.5	4.1			0.078	60	112	585	1,097	
42	27	6	32	—	32	4.5	7.5	4.1			0.083	82	159	806	1,560	
43	29	6	33	—	33	4.5	7.5	4.1			0.107	83	160	815	1,568	
48	34	6	31	22	38	4.5	7.5	4.1	0.155	126	240	1,234	2,352			
54	38	8	36	24	43	5.5	9.0	5.1	0.020	0.020	0.222	143	280	1,401	2,744	
62	46	8	40	32	51	5.5	9.0	5.1			0.460	159	320	1,558	3,136	
74	51	10	49	35	60	6.6	11.0	6.1			0.542	254	560	2,489	5,488	

NFIS-VL/ NFID-VL

Square/Round Pilot
End Flange Long Type



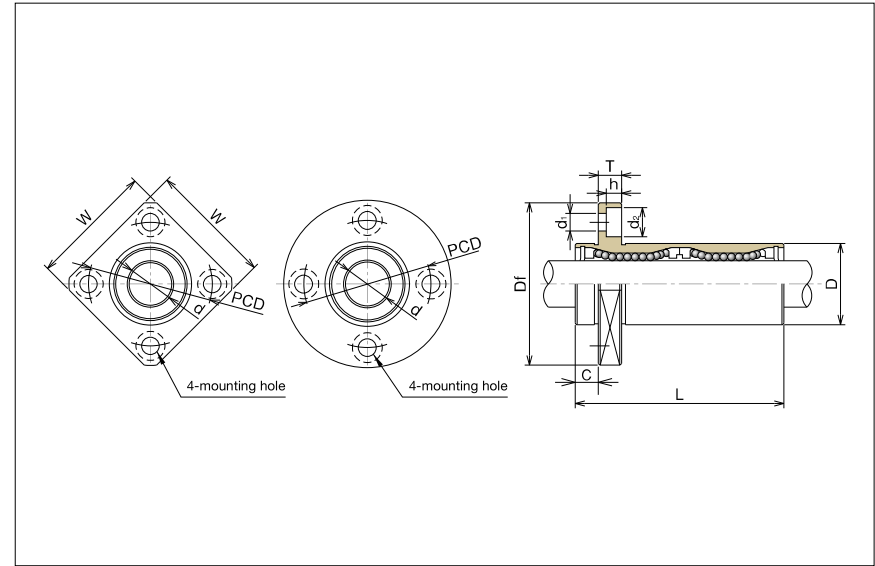
Ordering Details

NFIS-6VLUU

With flange ball bush Pilot end S: Square D: Round flange Inscribed circle diameter Plastic retainer Long UU: With two seals

Part Number	Ball Circuit	Major Dimensions and Tolerance					
		Inscribed Circle Diameter		Outer Diameter		Length	
		d	Tolerance	D	Tolerance	L	Tolerance
		(mm)	(mm)	(mm)	(mm)	(mm)	(mm)
NFIS-6VLUU	4	6		12	0	35	
NFID-6VLUU				15	-0.013	45	
NFIS-8VLUU	4	8		19		55	
NFID-8VLUU			0	21	0	57	0
NFIS-10VLUU	4	10	-0.010	23	-0.016	61	-0.3
NFID-10VLUU				28		70	
NFIS-12VLUU	4	12		32		80	
NFID-12VLUU			0	40	0	112	0
NFIS-13VLUU	4	13		45	-0.019	123	-0.4
NFID-13VLUU							
NFIS-16VLUU	5	16					
NFID-16VLUU							
NFIS-20VLUU	5	20					
NFID-20VLUU			0				
NFIS-25VLUU	6	25	-0.012				
NFID-25VLUU							
NFIS-30VLUU	6	30					
NFID-30VLUU							

Please contact us for size 35 and above.



Major Dimensions									Square-ness	Eccentricity	Weight	Load Rating			
Flange			Mounting Hole			C	Co	C				Co			
C	Df	W	T	PCD	d ₁				d ₂	h	(Max)		(Max)	(kg)	(kgf)
(mm)	(mm)	(mm)	(mm)	(mm)	(mm)	(mm)	(mm)	(mm)	(mm)	(mm)	(kg)	(kgf)	(kgf)	(N)	(N)
5	28	22	5	20	3.5	6.0	3.1	0.015	0.015	0.026	33	54	320	529	
										0.032		44	80	428	780
5	32	25	5	24	3.5	6.0	3.1			0.040		60	112	585	1,097
6	40	30	6	29	4.5	7.5	4.1			0.058		82	159	806	1,560
6	42	32	6	32	4.5	7.5	4.1			0.060		83	160	815	1,568
6	43	34	6	33	4.5	7.5	4.1			0.118		126	240	1,234	2,352
6	48	37	6	38	4.5	7.5	4.1	0.148		143	280	1,401	2,744		
8	54	42	8	43	5.5	9.0	5.1	0.214	0.020	0.020	159	320	1,558	3,136	
8	62	50	8	51	5.5	9.0	5.1	0.247				254	560	2,489	5,488
								0.472							
								0.502							
10	74	58	10	60	6.6	11.0	6.1	0.555							
								0.631							

Product Range

Ball Bush

Ball Bush Unit

Lead Screw

Technical Information for Rolling Guide System

Product Details for Rolling Guide System

NFIO-VL

Oval Pilot End Flange Long Type



Ordering Details

NFIO-6VLUU

With flange ball bush Pilot end Oval Inscribed circle diameter Plastic retainer Long UU: With two seals

Part Number	Ball Circuit	Major Dimensions and Tolerance						
		Inscribed Circle Diameter		Outer Diameter		Length		
		d	Tolerance	D	Tolerance	L	Tolerance	
		(mm)	(mm)	(mm)	(mm)	(mm)	(mm)	
NFIO-6VLUU	4	6	0 -0.010	12	0	35	0 -0.3	
NFIO-8VLUU	4	8		15	-0.013	45		
NFIO-10VLUU	4	10		19	0	55		
NFIO-12VLUU	4	12		21	-0.016	61		
NFIO-13VLUU	4	13		23	0	61		
NFIO-16VLUU	5	16		28	0	70		
NFIO-20VLUU	5	20		32	0	80		
NFIO-25VLUU	6	25		40	-0.019	112		0
NFIO-30VLUU	6	30		45	0	123		-0.4

Please contact us for size 35 and above.

Product Range

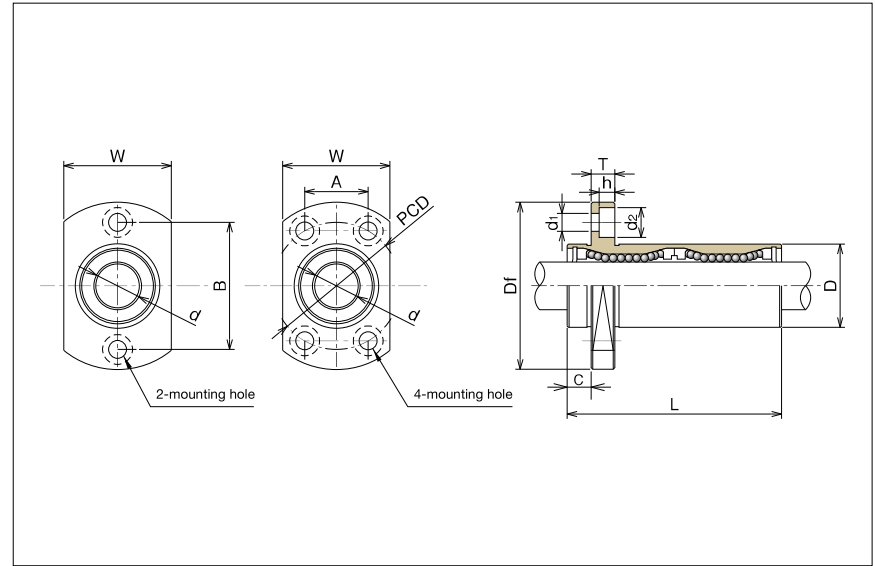
Ball Bush

Ball Bush Unit

Lead Screw

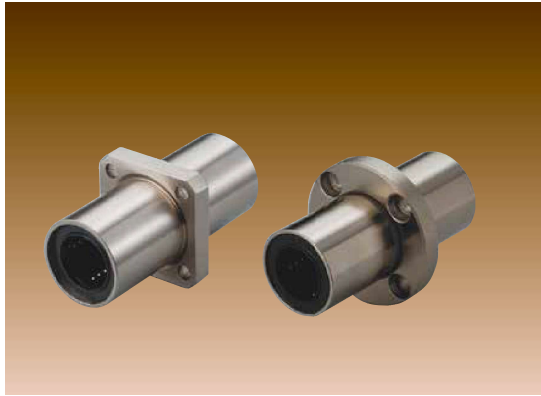
Technical Information for Rolling Guide System

Product Details for Rolling Guide System



Major Dimensions										Square-ness	Eccentricity	Weight	Load Rating			
Flange					Mounting Hole								(Max)	(Max)	(kg)	Load Rating
C	Df	W	T	B	A	d ₁	d ₂	h		(Max)	(Max)	(kg)				C
(mm)	(mm)	(mm)	(mm)	(mm)	(mm)	(mm)	(mm)	(mm)	(mm)	(mm)	(mm)	(mm)	(kgf)	(kgf)	(N)	(N)
5	28	18	5	20	—	3.5	6.0	3.1	0.015	0.015	0.028	33	54	320	529	
5	32	21	5	24	—	3.5	6.0	3.1				0.047	44	80	428	780
6	40	25	6	29	—	4.5	7.5	4.1				0.090	60	112	585	1,097
6	42	27	6	32	—	4.5	7.5	4.1				0.102	82	159	806	1,560
6	43	29	6	33	—	4.5	7.5	4.1				0.123	83	160	815	1,568
6	48	34	6	31	22	4.5	7.5	4.1				0.182	126	240	1,234	2,352
8	54	38	8	36	24	5.5	9.0	5.1	0.020	0.020	0.247	143	280	1,401	2,744	
8	62	46	8	40	32	5.5	9.0	5.1				0.525	159	320	1,558	3,136
10	74	51	10	49	35	6.6	11.0	6.1				0.645	254	560	2,489	5,488

**NFCS-VL/
NFCD-VL**
Center Square/Round
Flange Long Type



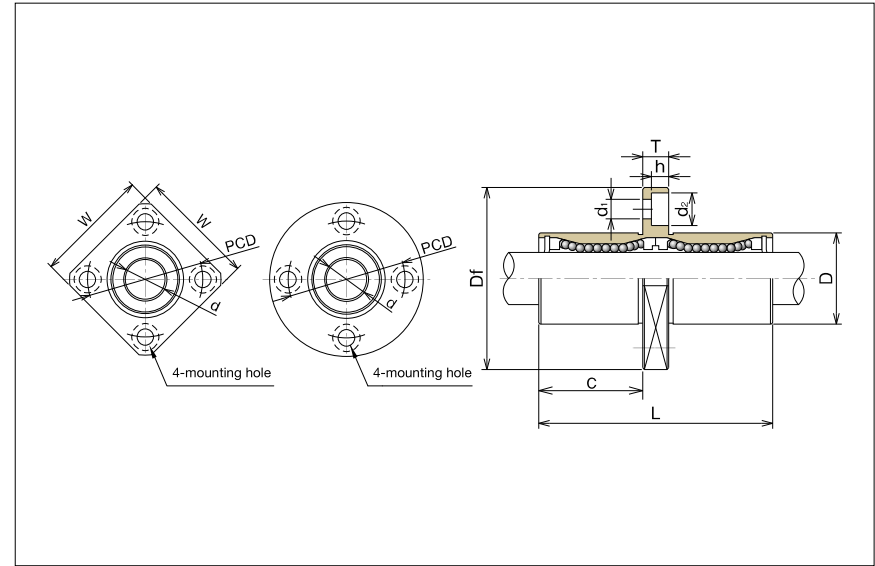
Ordering Details

N F C S - 6 V L U U

With flange ball bush Center S: Square D: Round flange Inscribed circle diameter Plastic retainer diameter Long UU: With two seals

Part Number	Ball Circuit	Major Dimensions and Tolerance					
		Inscribed Circle Diameter		Outer Diameter		Length	
		d	Tolerance	D	Tolerance	L	Tolerance
		(mm)	(mm)	(mm)	(mm)	(mm)	(mm)
NFCS-6VLUU NFCD-6VLUU	4	6	0	12	0	35	-0.3
NFCS-8VLUU NFCD-8VLUU	4	8		15	-0.013	45	
NFCS-10VLUU NFCD-10VLUU	4	10	-0.010	19	0	55	-0.3
NFCS-12VLUU NFCD-12VLUU	4	12		21		-0.016	
NFCS-13VLUU NFCD-13VLUU	4	13		23		70	
NFCS-16VLUU NFCD-16VLUU	5	16		28		80	
NFCS-20VLUU NFCD-20VLUU	5	20	-0.012	32	0	112	-0.4
NFCS-25VLUU NFCD-25VLUU	6	25		40		-0.019	
NFCS-30VLUU NFCD-30VLUU	6	30		45			

Please contact us for size 35 and above.



	Major Dimensions								Square-ness (Max) (mm)	Eccentricity (Max) (mm)	Weight (kg)	Load Rating			
	Inset		Flange			Mounting Hole						C	Co	C	Co
	C	Df	W	T	PCD	d ₁	d ₂	h							
		(mm)	(mm)	(mm)	(mm)	(mm)	(mm)	(mm)	(mm)	(mm)	(kg)	(kgf)	(kgf)	(N)	(N)
	15.0	28	22	5	20	3.5	6.0	3.1	0.015	0.015	0.026	33	54	320	529
	20.0	32	25	5	24	3.5	6.0	3.1			0.040	44	80	428	780
	24.5	40	30	6	29	4.5	7.5	4.1			0.072	60	112	585	1,097
	25.5	42	32	6	32	4.5	7.5	4.1			0.080	82	159	806	1,560
	27.5	43	34	6	33	4.5	7.5	4.1			0.110	83	160	815	1,568
	32.0	48	37	6	38	4.5	7.5	4.1			0.148	126	240	1,234	2,352
	36.0	54	42	8	43	5.5	9.0	5.1	0.020	0.020	0.214	143	280	1,401	2,744
	52.0	62	50	8	51	5.5	9.0	5.1			0.472	159	320	1,558	3,136
	56.5	74	58	10	60	6.6	11.0	6.1			0.555	254	560	2,489	5,488

NFCO-VL

Center Oval Flange Long Type



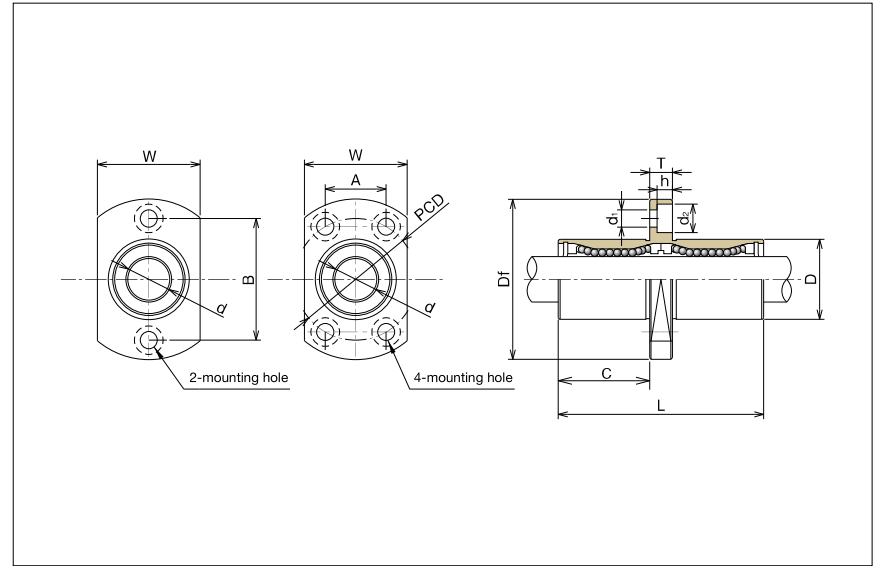
Ordering Details

NFCO-6VLUU

With flange ball bush Center Oval Inscribed circle diameter Plastic retainer Long UU: With two seals

Part Number	Ball Circuit	Major Dimensions and Tolerance					
		Inscribed Circle Diameter		Outer Diameter		Length	
		d	Tolerance	D	Tolerance	L	Tolerance
NFCO-6VLUU	4	6		12	0	35	
NFCO-8VLUU	4	8		15	-0.013	45	
NFCO-10VLUU	4	10	0	19	0	55	-0.3
NFCO-12VLUU	4	12		21		57	
NFCO-13VLUU	4	13		23	-0.016	61	
NFCO-16VLUU	5	16		28		70	
NFCO-20VLUU	5	20		32		80	
NFCO-25VLUU	6	25	-0.012	40	0	112	0
NFCO-30VLUU	6	30		45		123	

Please contact us for size 35 and above.



Inset	Major Dimensions										Square-ness (Max)	Eccentricity (Max)	Weight (kg)	Load Rating			
	Flange						Mounting Hole							C	Co	C	Co
	C	Df	W	T	B	A	PCD	d ₁	d ₂	h							
15.0	28	18	5	20	—	20	3.5	6.0	3.1	0.015	0.015	0.028	33	54	320	529	
20.0	32	21	5	24	—	24	3.5	6.0	3.1			0.047	44	80	428	780	
24.5	40	25	6	29	—	29	4.5	7.5	4.1			0.090	60	112	585	1,097	
25.5	42	27	6	32	—	32	4.5	7.5	4.1			0.102	82	159	806	1,560	
27.5	43	29	6	33	—	33	4.5	7.5	4.1			0.123	83	160	815	1,568	
32.0	48	34	6	31	22	38	4.5	7.5	4.1			0.182	126	240	1,234	2,352	
36.0	54	38	8	36	24	43	5.5	9.0	5.1	0.020	0.020	0.247	143	280	1,401	2,744	
52.0	62	46	8	40	32	51	5.5	9.0	5.1			0.525	159	320	1,558	3,136	
56.5	74	51	10	49	35	60	6.6	11.0	6.1			0.645	254	560	2,489	5,488	